

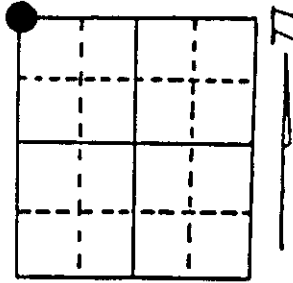
# U.S. PUBLIC LAND SURVEY MONUMENT RECORD

**Note:** This form is intended and designed to fulfill all requirements of Wisconsin Administrative Code, Chapter A-E 7.08 U.S. Public Land Survey Monument Record (3) (a) (b) (c) (d) (e) (f) (g) (h) (i). An additional sheet may be added if necessary to conform with said requirements.

(a) Corner location: Township 36 North  
 Range 9 East/West

Town/City/Village Pelican Lake

County Oneida



Section 24

(b) (f) (g) (h) Description of monument found at this corner and if it was accepted, state all evidence (material, testimonial, occupational, plats, records, other monuments) used as a basis for accepting. If not accepted or if nothing was found, state evidence used as basis for establishing location. If reestablished through lost corner proportionate methods, indicate all monuments, distances and directions used to establish. Indicate type of monument found or set and sign post.

1863 - Wm. Daugherty established this corner at 80.00 Chains and made BT: 8" Birch, S22°W, 44 Links.

1909 - Vaughan restored corner by Lost Methods: set a wood post and BTs:  
 4" Birch, N2½°W, 42 ¾ Links                      8" Birch, S27½°W, 33 Links  
 Found: Distance East - 87.59½ Chains; Distance West - 87.85½ Chains

1924 - Vaughan returned and set iron pipe and new BTs:  
 6" Red Pine, N37½°W, 48 Links (31.68')  
 8" Red Pine, S35°W, 50½ Links (33.16')  
 16" Red Pine, N61°W, 131 Links (86.46')

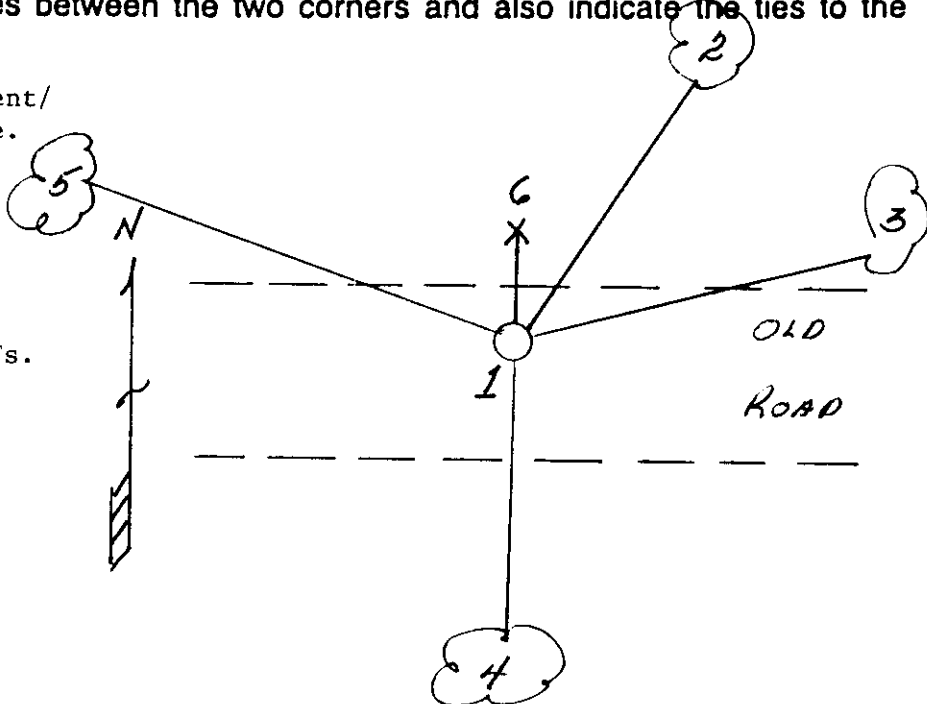
1/6/1992 - Milo E. Stefan found 2½" iron pipe flush to ground with old BT: 18" Red Pine, N55°W, 81.21'. New BTs: 8" Red Oak, N18°E, 40.58'; 10" White Pine, South, 22.93'. Distance East to Section Corner 5767.08'.

2/12/1992 - Milo E. Stefan set new aluminum monument, made one new BT and set sign post.

(c) (d) (e) Plan view of corner with ties to at least 4 witness monuments. If in disagreement with previously established corner, show the distances between the two corners and also indicate the ties to the disputed corner.

- 1) 2" x 30" aluminum county monument/  
2½" iron pipe buried along side.
- 2) 8" Red Oak, N18°E, 40.58'.
- 3) 5" White Pine, N88°E, 22.85'.
- 4) 10" White Pine, South, 22.93'.
- 5) 18" Red Pine, N55°W, 81.21'.
- 6) Plastic Sign Post, North, 7.4'.

Distances to nail in side of BTs.  
 Stump blaze scribed "BT".



(i) I, Milo E. Stefan  
 (type or print name) certify that the corner location on this record was determined by me or under my direction and control and that this U.S. Public Land Survey Monument Record is correct and complete to the best of my knowledge and belief.

Milo E. Stefan  
 Signature

2/28/92  
 Date



Stamp

Index No. N-21

3609140000