

U.S. PUBLIC LAND SURVEY MONUMENT RECORD

REGISTER OF DEEDS OFFICE
ONEIDA COUNTY
FILED

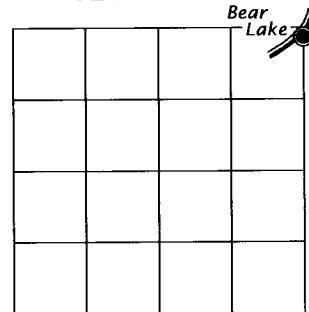
JUN 01 2017

Note: This form is intended and designed to fulfill all requirements of the Wisconsin Administrative Code, Chapter A-E 7.08 U.S. Public Land Monument Record (3)(a)(b)(c)(d)(e)(f)(g)(h)(i). An additional sheet may be added if necessary to conform with said requirements.

(a) CORNER LOCATION: WISCORS - Oneida County
 N. Meander Corner of Section 25
 Township 38 North
 Range 5 East
 Town of Minocqua
 County of Oneida
 North: 209722.699 USft
 East: 165707.834 USft
 Latitude: 45° 45' 39.40087" N
 Longitude: 89° 47' 46.75211" W
 Datum: NAD 83(2011)
 GNSS Method: RTK - Offset
 GNSS Control: WISCORS VRS
 Record North: 209722.923 USft
 Record East: 165707.622 USft
 Record Datum: NAD 83(1991)

AT _____ O'CLOCK _____ M
 KYLE J. FRANSON
 REGISTER OF DEEDS

(RECORDING AREA)
 SECTION 25



(b) HISTORY OF ORIGINAL CORNER ESTABLISHMENT

Original Surveyor: Alfred Millard
 Date of Survey: Commenced September, 1860
 Completed September, 1860
 Original B.T.'S: Y. Pine 12" S 30°W, 18 lks.
 Y. Pine 10" S 20°E 12 lks.

(f)(g)(h) DESCRIPTION OF MONUMENT FOUND AT THIS CORNER AND IF IT WAS ACCEPTED, STATE ALL EVIDENCE (MATERIAL, TESTIMONIAL, OCCUPATIONAL, PLATS, RECORD, OTHER MONUMENTS) USED AS A BASIS FOR ESTABLISHING LOCATION. IF NOT ACCEPTED OR IF NOTHING WAS FOUND, STATE EVIDENCE USED AS BASIS FOR ESTABLISHING LOCATION. IF REESTABLISHED THROUGH LOST CORNER PROPORTIONATE METHODS, INDICATE ALL MONUMENTS, DISTANCES AND DIRECTIONS USED TO ESTABLISH. INDICATE TYPE OF MONUMENT AND SIGN POST FOUND OR SET.

October 9, 1922 - ? Vaughan, Surveyor, (Old Field Book 60, page 121) survey in Section 30, T38N, R6E, recovered M.C. on south shore of lake between Sections 25 & 30. Made new bearing: Y. Pine 14" N62 1/2°E, 19 links.

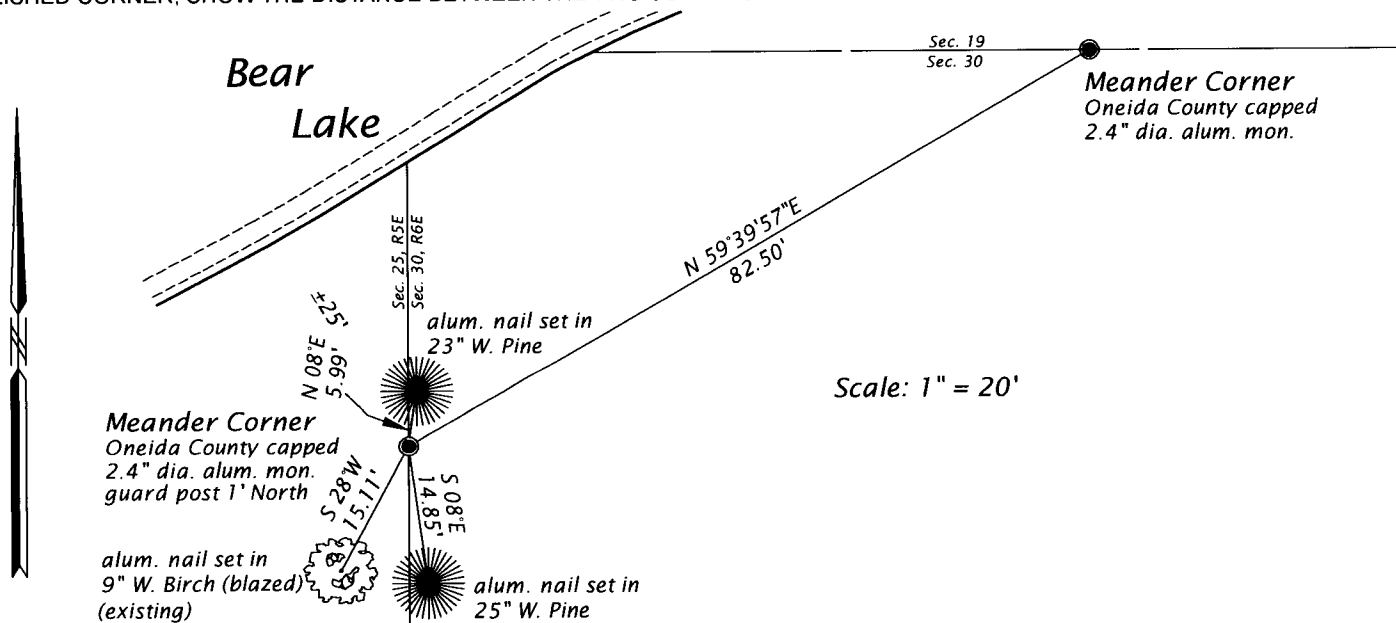
December 1, 2 & 3, 1947 - E. F. Kowalke, Surveyor (Kowalke Field Book 6, pages 4 and 7) M.C. on Range Line between 19 & 24 found iron pipe and post. No orig. B.T.'s, two stumps agreeing closely with record. Marked: Pine stump S35°W, 12.0 feet; Maple 5" S74°E, 24.0 feet.

June 1968 - John H. Fisher, RLS No. 836, Northwoods Sureyors, Inc. (map filed as B7477 in county surveyor's office) survey in Gov't. Lot 3, Section 25, T38N, R5E, legends meander corner "iron pipe set", referenced by W. Pine stump S34°W, 11.7 feet and an 8" W. Birch S27°W, 15.1 feet.

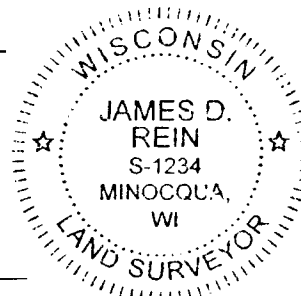
(CONTINUED ON REVERSE PAGE)

The coordinate value shown has been verified by at least one of the following methods: 1) comparison to a previously GPS determined published value; 2) the value is the average of two or more GPS observations at a markedly different time; 3) one or more distances were measured back to the GPS observed corner from temporary GPS observed offset locations.

(c)(d)(e) PLAN VIEW OF CORNER WITH TIES TO AT LEAST 4 WITNESS MONUMENTS. IF IN DISAGREEMENT WITH PREVIOUSLY ESTABLISHED CORNER, SHOW THE DISTANCE BETWEEN THE TWO CORNERS AND ALSO INDICATE THE TIES TO THE DISPUTED CORNER.



(i) I, JAMES D. REIN, PROFESSIONAL LAND SURVEYOR NO. S-1234
 HEREBY CERTIFY THAT THE CORNER LOCATION ON THIS RECORD
 WAS DETERMINED BY ME OR UNDER MY DIRECTION AND CONTROL
 AND THAT THIS U.S. PUBLIC LAND SURVEY MONUMENT RECORD IS
 CORRECT AND COMPLETE TO THE BEST OF MY KNOWLEDGE AND
 BELIEF.



[Handwritten Signature]
 SIGNATURE

5-24-17
 DATE

INDEX NO. RS - 25
 3805253900

(CONTINUED FROM REVERSE PAGE)

December 28, 1979 - James D. Rein, RLS No. 1234, Wilderness Surveying, Inc., (Oneida County Certified Survey Map 765) survey in Gov't. Lot 3, Section 25, T38N, R5E, describes meander corner monumented by a 1 1/2" dia. iron pipe found in place, referenced by a 7" W. Piine stump S34°W, 11.7 feet and by a 8" W. Birch S24°W, 15.2 feet.

September 9, 2004 - James D. Rein, RLS No. 1234, Wilderness Surveying, Inc., (Map No. 04-185 filed in the county surveyor's office as A1417) survey in Gov't. Lot 3, Section 25, T38N, R5E, describes meander corner monumented by a capped 2.4" dia. x 30" long alum mon. set. (field notes describe Oneida County capped aluminum monument was set to replace iron pipe and new BT's: 17" W. Pine N5°E, 6.21 feet; 22" W. Pine S10°E, 14.84 feet; existing 10" W. Birch S25°W, 15.21 feet; and 12" Maple S68°W, 14.89 feet.

December 30, 2016 - James D. Rein, PLS No. 1234, we recovered the Oneida County capped 2.4" dia. alum. monument, which I have previously accepted as a perpetuation of the original meaner corner position, and we made new reference ties as shown in the plan.