

U.S. PUBLIC LAND SURVEY MONUMENT RECORD

Note: This form is intended and designed to fulfill all requirements of the Wisconsin Administrative Code, Chapter A-E 7.08 U.S. Public Land Monument Record (3)(a)(b)(c)(d)(e)(f)(g)(h)(i). An additional sheet may be added if necessary to conform with said requirements.

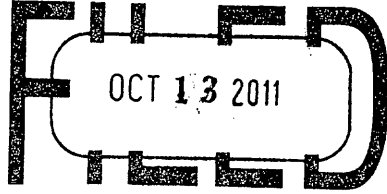
(a) CORNER LOCATION:

East M.C. south line Section 24
 Township 39 North
 Range 6 East
 Town of Minocqua
 County of Oneida
 Wisconsin

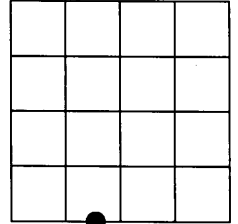
COORDINATES

North:
 East:
 Control Station:
 Latitude:
 Longitude:
 Datum:
 Method:

REGISTER OF DEEDS OFFICE
 ONEIDA COUNTY, WIS.



At _____ O'Clock _____ M
THOMAS H. LEIGHTON
 REGISTER OF DEEDS



M. C.

SECTION 24

(b) HISTORY OF ORIGINAL CORNER ESTABLISHMENT

Original Surveyor: Alexander Anderson, Deputy Surveyor
 Date of Survey: October 13, 1863
 Completed - October 23, 1863

Original B.T.'S:
 24 Y. Pine; N 13° E; 27 links
 9" Y. Pine; S 32 1/2° E; 16 links

(f)(g)(h) DESCRIPTION OF MONUMENT FOUND AT THIS CORNER AND IF IT WAS ACCEPTED, STATE ALL EVIDENCE (MATERIAL, TESTIMONIAL, OCCUPATIONAL, PLATS, RECORDS, OTHER MONUMENTS) USED AS A BASIS FOR ESTABLISHING LOCATION. IF NOT ACCEPTED OF IF NOTHING WAS FOUND, STATE EVIDENCE USED AS BASIS FOR ESTABLISHING LOCATION. IF REESTABLISHED THROUGH LOST CORNER PROPORTIONATE METHODS, INDICATE ALL MONUMENTS, DISTANCES AND DIRECTIONS USED TO ESTABLISH. INDICATE TYPE OF MONUMENT AND SIGN POST FOUND OR SET.

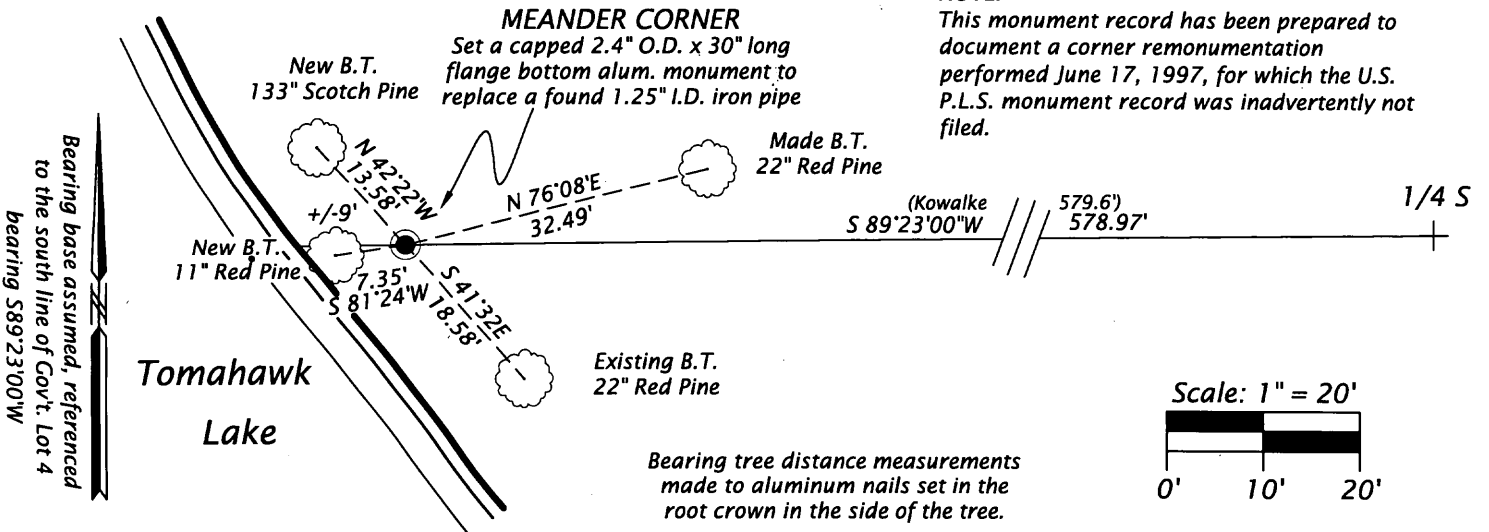
December 10, 1946 - E. F. Kowalke, Surveyor: Field Book 5, survey in Gov't. Lot 4, Section 24, shows corner monuments for parcels along section line with a notation "No M.C." for the corner.

September 11, 1952 - E. F. Kowalke, Surveyor: Field Book 10, survey in Gov't. Lot 4, Section 24, shows M.C. monumented by a 1 1/2" iron pipe, referenced by a Y.P. 18" S46°E, 18'. It is apparent the meander corner was restored at record deed distance on a line extension of the earlier recovered monuments. These field notes are the bases for his Map 1-D-13A, which is later filed in the Oneida County Survey Office as A1637.

June 17, 1997 - James D. Rein, RLS #1234 - I accept Kowalke's corner position as the best evidence for the location of the original corner and set a capped 2.4" O.D. x 30" long flange bottom aluminum monument to replace a found 1.25" I.D. iron pipe referenced by Kowalke's bearing tree. Also set a white poly stake 1 foot west of corner monument and made reference ties to existing a new bearing trees shown in plan.

(c)(d)(e) PLAN VIEW OF CORNER WITH TIES TO AT LEAST 4 WITNESS MONUMENTS. IF IN DISAGREEMENT WITH PREVIOUSLY ESTABLISHED CORNER, SHOW THE DISTANCE BETWEEN THE TWO CORNERS AND ALSO INDICATE THE TIES TO THE DISPUTED CORNER.

NOTE:
 This monument record has been prepared to document a corner remonumentation performed June 17, 1997, for which the U.S. P.L.S. monument record was inadvertently not filed.



(i) I, JAMES D. REIN, REGISTERED LAND SURVEYOR NO. S-1234 HEREBY CERTIFY THAT THE CORNER LOCATION ON THIS RECORD WAS DETERMINED BY ME OR UNDER MY DIRECTION AND CONTROL AND THAT THIS U.S. PUBLIC LAND SURVEY MONUMENT RECORD IS CORRECT AND COMPLETE TO THE BEST OF MY KNOWLEDGE AND BELIEF.

[Handwritten Signature]
 SIGNATURE

10-4-11
 DATE



3906 24 0021

INDEX NO. R 23-22