

BETTY MARY KUCZMARSKI

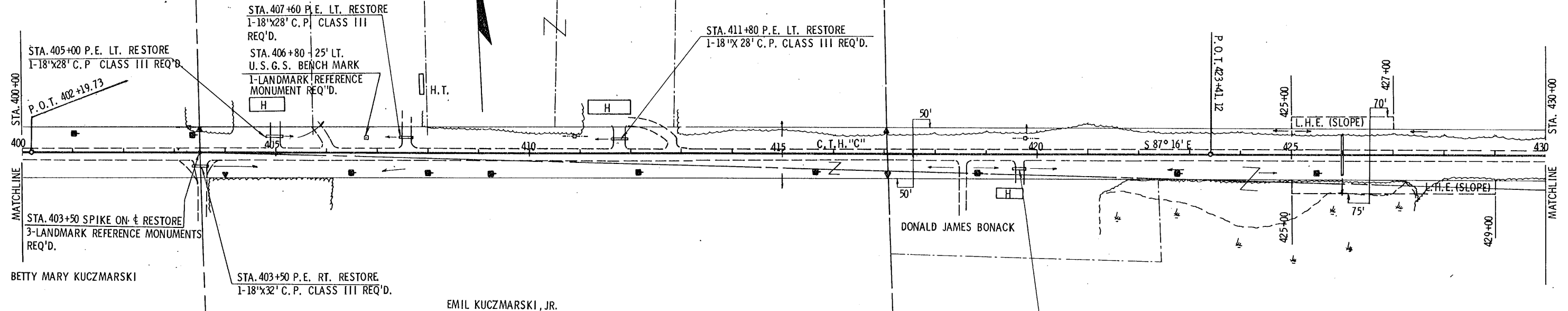
CHARLES BAKER

CONRAD KUCZMARSKI

STARKS FARMS INC.

STA. 400+00 - STA. 430+00  
4 MARKER POSTS FOR RIGHT-OF-WAY REQ'D.

PROJECT I.D. 9449 - 1 - 70	SHEET NUMBER 7	TOTAL SHEETS 53
FEDERAL PROJECT DESIGNATION S 0706(7)		
Plan & Profile Sta. 400+00 - Sta. 430+00 For Onida County		
C.T.H. "C"		



BENCH MARKS			
NO.	STATION	DESCRIPTION	ELEV.
5	401+03	P.K. NAIL IN POWER POLE	40' LT. 1615.56
6	412+15	P.K. NAIL IN POWER POLE	38' RT. 1615.44
7	422+75	P.K. NAIL IN POWER POLE	35' RT. 1616.19

NET CENTERLINE LENGTH STA. 400+00 - STA. 430+00 = 3,000.00 LIN. FT.

UNCL. 4,847 CU. YD.  
FILL 3,230 CU. YD.  
SHG. 50%

UNCL. 18,429 CU. YD.  
FILL 14,610 CU. YD.  
SHG. 26%

