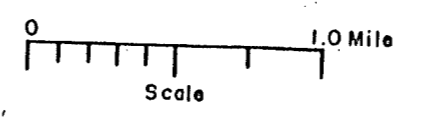
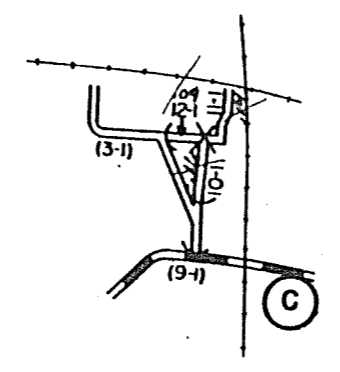
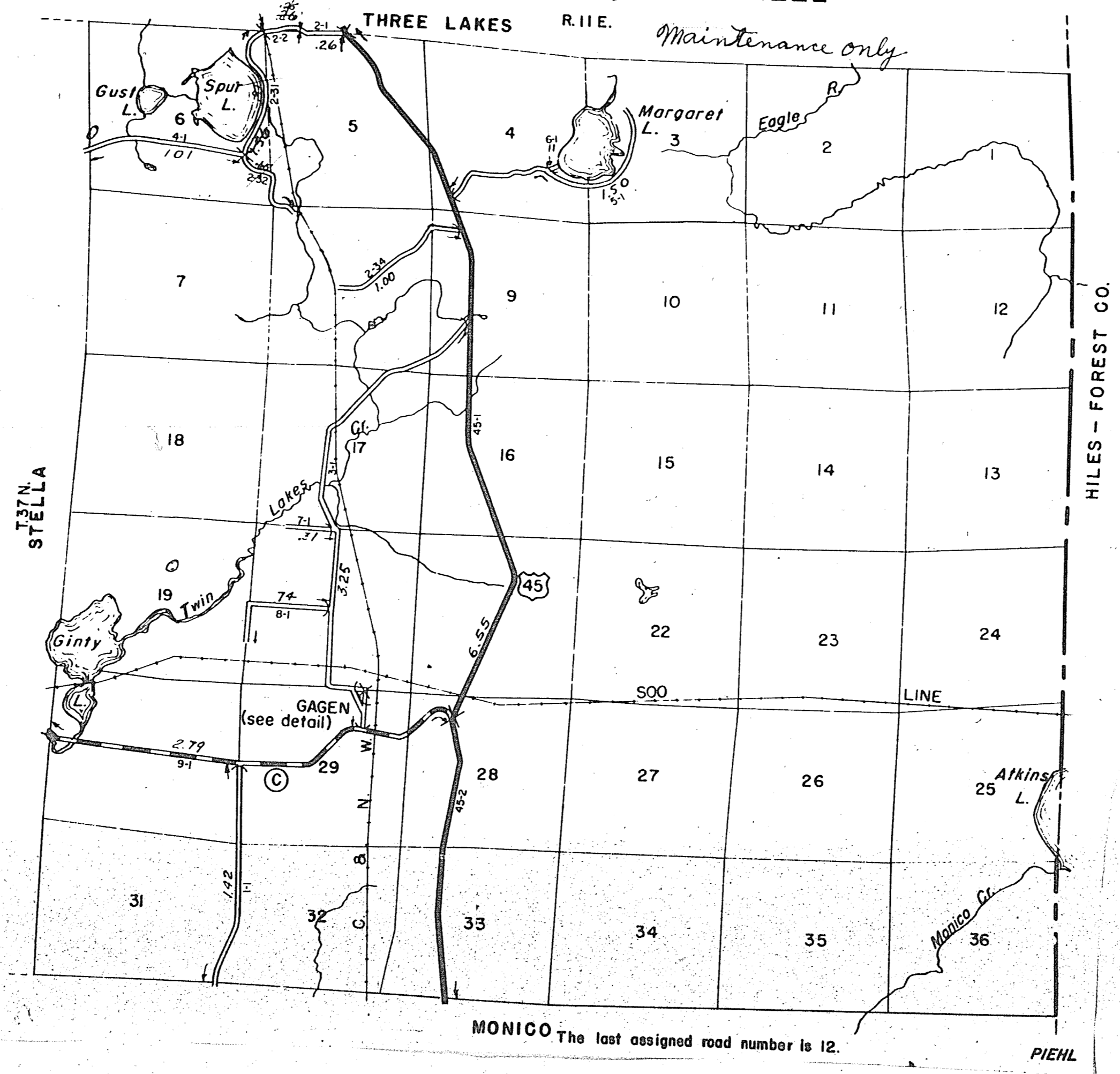


STATE HIGHWAY COMM. OF WISCONSIN
TOWN PLAT RECORD

Town - PIEHL		County - ONEIDA (43-013)			Symbols
Date of Last Corr.	State Trunks	County Trunks	Local Roads		
1-1-58	6.55	2.85	13.01	Sch. 1	
1-1-59	6.55	2.79	11.54	Cem. 11	
1-12-60	6.55	2.79	11.55	Tower 11	



11,55-08=11,47
 Certified as Correct By Town Chairman: *John Harkins*



PIEHL