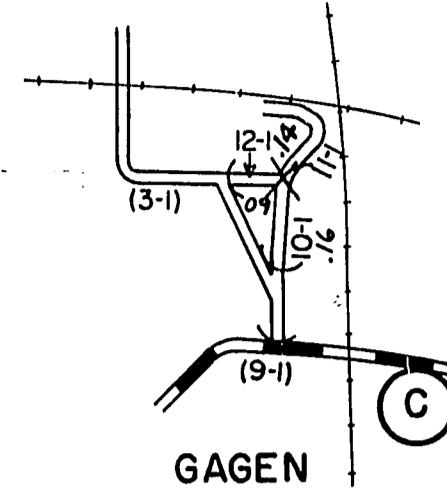


RETURN THIS PLAT

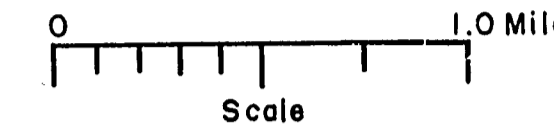
STATE HIGHWAY COMM. OF WISCONSIN
TOWN PLAT RECORD

Town - PIEHL County - ONEIDA (43-013)

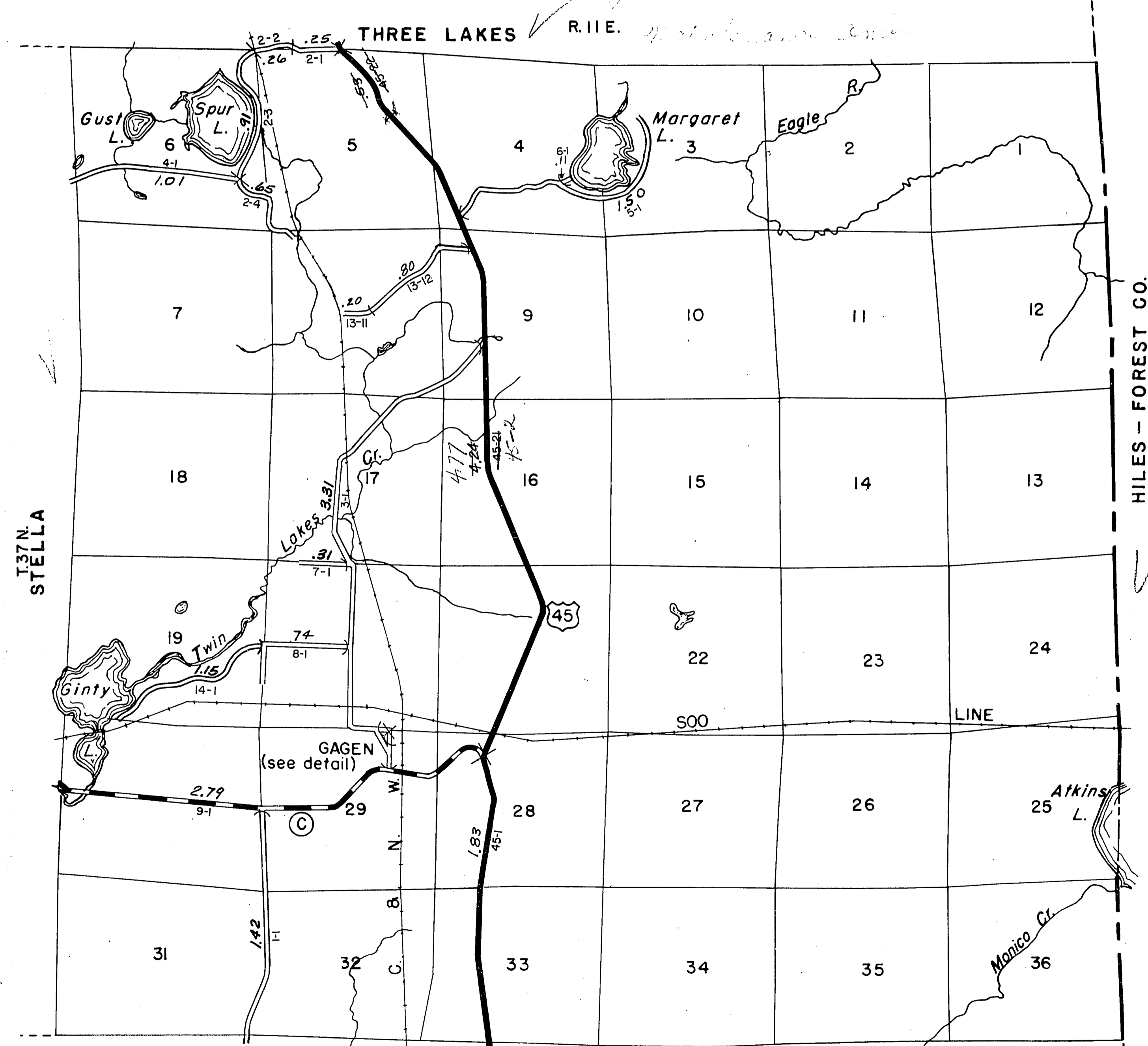
Date of Last Corr.	State Trunks	County Trunks	Local Roads	Symbols
1-1-64	6.60	2.79	11.61	Sch. 4
1-1-65	6.60	2.79	11.61	Cem. 1
1-1-66	6.60	2.79	12.76	
1-1-67	6.60	2.79	12.76	
1-1-62	6.55	2.79	11.55	
1-1-63	6.60	2.79	11.61	



Gross Mileage .. Deduction for Intersections .. Net Pay Mileage
 12.76 .. .08 .. 12.68



Certified as Correct By Town Chairman: John P. Harjane



MONICO The last assigned road number is 14.

PIEHL